

## ASH SERIES HIGH PERFORMANCE PRESSURE TRANSDUCER

The ASH Series of High Performance Pressure Transducers have been designed for high temperature installations in motorsport and automotive applications; ideal for high precision data acquisition or control systems. These transducers can be installed directly onto vehicles, or as part of a test stand or dyno.

Offering a high level of reliability and endurance the ASH is protected against the high vibration, shock and high temperatures found in motorsport. Continuous operation up to 150°C allows for installations in hot zones. With a modular construction and programmable amplifier, this provides a fast delivery time for standard and custom configurations.

Pressure ranges are available between 1.2 to 400 Bar in either Absolute or Sealed Gauge reference. Industry standard 3-wire electrical connections for the Pressure signal allow configuration with most common ECU's and data logging systems. The ASH Series is race proven in many formulae around the world, offering a cost effective solution for professional engineers.

### TECHNICAL SPECIFICATIONS

<b>Pressure Reference</b>	Absolute or Sealed Gauge
<b>Standard Pressure Ranges (Bar)</b>	Low Range: 1.2, 4 & 10 High Range: 50, 100, 200 & 400
<b>Proof Pressure (Over range)</b>	300% of Range / 150% of Range
<b>Burst Pressure</b>	>1000% of Range / >300% of Range
<b>Accuracy</b>	±0.08% FS Combined Linearity & Hysteresis (CNLH) ±0.2% FS Combined Linearity & Hysteresis (CNLH)
<b>Thermal Accuracy</b>	<±0.25% FS TEB within Compensated Range Zero ±0.01% FS/°C (Sensitivity ±0.01% of Reading /°C)
<b>Output</b>	0.5V to 4.5V (±0.25%)
<b>Supply</b>	5V (±0.5V) Ratiometric or 8-16V d.c.
<b>Operating Temperature Range</b>	-40°C to +150°C
<b>Compensated Temperature Range</b>	0°C to +125°C
<b>Bandwidth</b>	0-1000Hz, 2000Hz or 5000Hz (Select at time of Order)
<b>Construction</b>	Fully Welded Stainless Steel (with a Viton internal O-ring)
<b>Electrical Connection</b>	100cm 26AWG, 55 Spec Wire + DR25 Sleeve
<b>Process Connection (Thread Size)</b>	Please see Part Number Configurator
<b>Protection Class</b>	IP67. Dust tight & water immersion to 1m for 30mins
<b>EMC Protection &amp; Vibration</b>	EN E50082-1 and up to 5KHz Sine at 100g
<b>Weight</b>	54g (Including Cable)

KA Sensors adopts a continuous development program which sometimes necessitates specification changes without notice.

PRESSURE | TEMPERATURE | FORCE | TORQUE | POSITION | SPEED | ACCELERATION | GYRO

Sense  
Analyse  
Control

#### Features

- High Fatigue Life
- High Accuracy
- 1.2 to 400 Bar Range
- Rugged Design
- Amplified Output

#### Applications

- Coolant
- Brakes
- Water
- Boost
- Fuel
- Oil

bf1systems.com

sales@kasensors.com

ASH  
KA010P-DS (rev1)

# PART NUMBER CONFIGURATOR

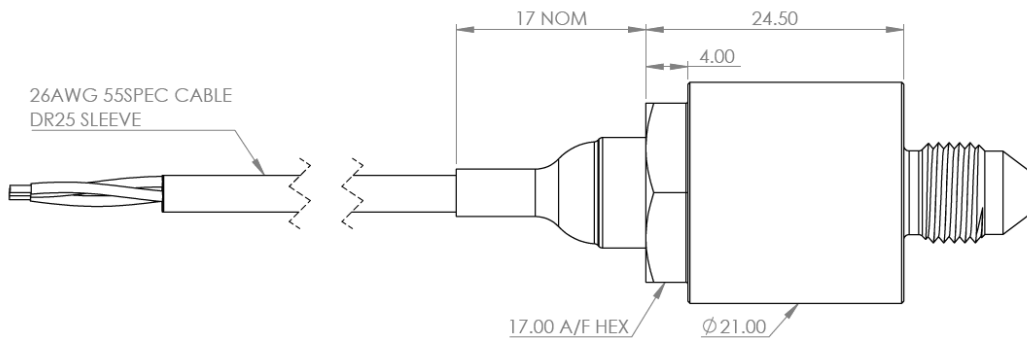
	<b>ASH</b> -	<input type="checkbox"/>	<input type="checkbox"/>	<input type="checkbox"/>	<input type="checkbox"/>	<input type="checkbox"/>	<input type="checkbox"/>	<input type="checkbox"/>
Pressure Reference	Absolute Sealed Gauge	A	S					
Pressure Range	1.2 Bar	1200						
	4 Bar	4000						
	10 Bar	1002						
	50 Bar	5002						
	100 Bar	1003						
	200 Bar	2003						
	400 Bar	4003						
Supply Voltage	5V Ratiometric			4				
	8-16V			5				
Process Connection	3/8 Inch 24 UNF Dash 3 (SAE J514)					A		
	M10 x 1 Male (ISO 6149-2)					D		
	M8 x 1 Male (ISO 6149-2)					F		
	5/16 Inch 24 UNF - No Cone (SAE J514)					I		
	3/8 Inch 24 UNF - No Cone (SAE J1926-2)					J		
	5/16 Inch 24 UNF Dash 2 (SAE J514)					K		
	7/16 Inch 20 UNF Dash 4 (SAE J514)					L		
	7/16 Inch 20 UNF - No Cone (SAE J1926-2)					T		
Bandwidth	0 - 1000Hz						1	
	0 - 2000Hz						2	
	0 - 5000Hz						5	
O-Ring Material (Internal)	Viton (Only 10 Bar & Below)						V	
	None						0	
Special Code	None							000

*Sense  
Analyse  
Control*

**Services for:**

- Data Logging
- Telemetry
- Controls
- Wiring

# MECHANICAL DETAILS



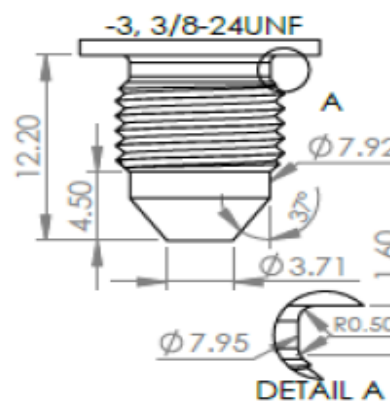
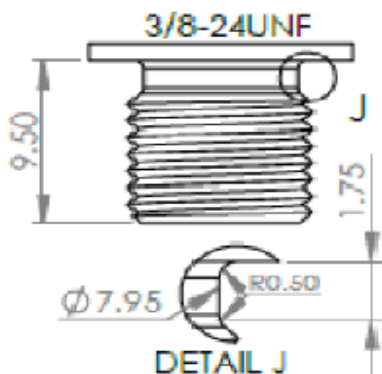
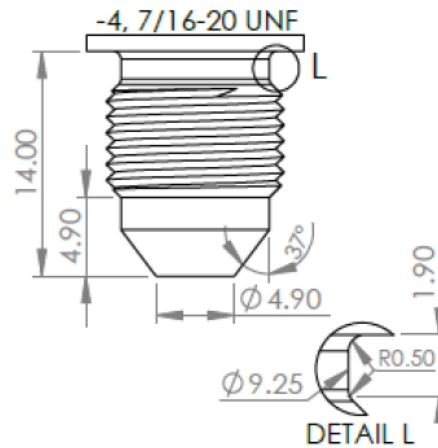
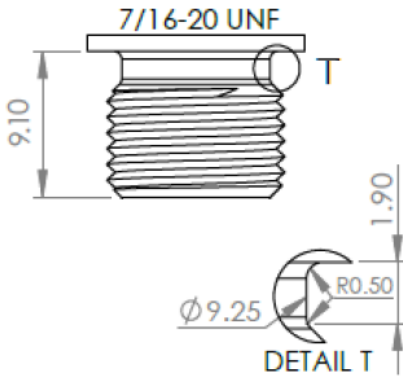
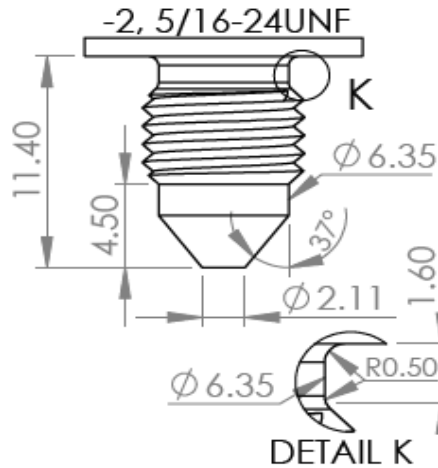
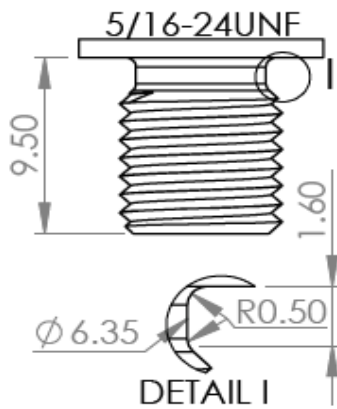
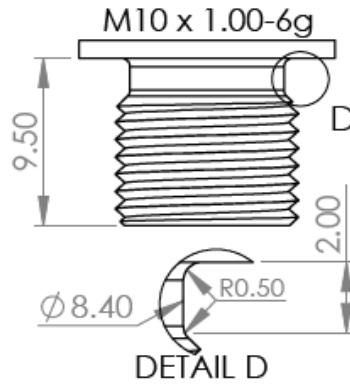
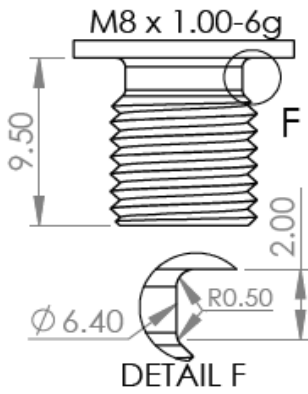
# CONNECTION DETAILS

+Ve Supply	0V Supply	Signal
Red	Black	White

bf1systems.com  
sales@kasensors.com

ASH  
KA010P-DS (rev1)

# PROCESS CONNECTIONS



*Sense  
Analyse  
Control*

## Services for:

- Data Logging
- Telemetry
- Controls
- Wiring

## Contact us

KA Sensors Ltd  
Unit 13, Priest Court  
Springfield Business Park  
Grantham  
United Kingdom  
NG31 7FZ

bf1systems.com  
sales@kasensors.com

ASH  
KA010P-DS (rev1)