



Brake Pedal Load Cell | Accelerator Pedal Load Cell | CCGBP



Installation Directly onto the Pedal

- **Lead Time:** 4-5 weeks
- **Buy online:** <https://appmeas.co.uk/shop/load-cells/ccgbp/>



AT A GLANCE

- Capacities: 0-50kg up to 0-250kg
- Very Low Profile (12.5mm)
- Integral Loading & Mounting Plate
- Robust Design
- Stainless Steel Construction
- Output: 2mV/V nominal
- Environmental Protection: IP65
- Accuracy: $< \pm 2.5\%$ /RC typical

- **Ideal for the Automotive Industry**
- **Low Height 12.5mm & Compact Ø59mm**
- **Fits Easily onto Vehicle Pedals**
- **Integral Loading and Mounting Plates**
- **Customised Mounting and Loading Plates Available**
- **Optimum Performance Guaranteed** – Radial strain gauge arrangement keeps errors to a minimum.

DESCRIPTION

The CCGBP low profile brake pedal load cell is designed to measure brake pedal or accelerator pedal force with ranges from 0-50kg up to 0-250kg. The CCGBP's low profile of 12.5mm lends it to applications where space is at a premium.

Their integral mounting and loading plate along with their low profile, enables fast and simple installation directly onto the pedal. The brake pedal load cell can also be used on other pedals within the vehicle.

The brake pedal load cell is constructed from stainless steel and features a radial strain gauge arrangement which reduces the effect of any off-centre loading and helps to keep measurement errors to a minimum. Its rugged stainless steel construction and IP65 ingress protection rating ensure a long and maintenance-free life.

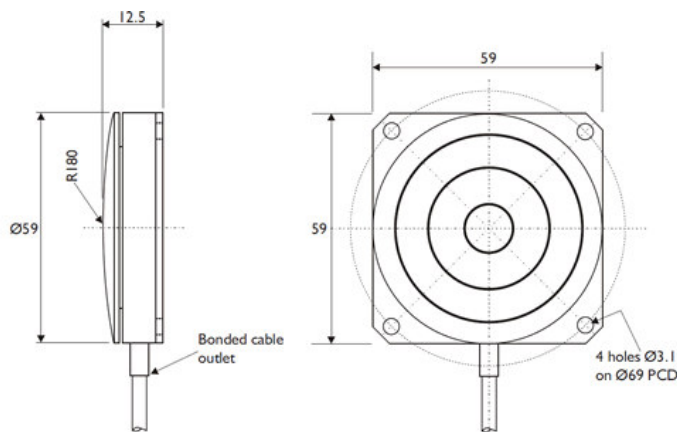
Additionally, we can customise the mounting and loading plates so if you need a special version to suit your application please call our sales team who will be happy to discuss your required specification in detail.

TECHNICAL SPECIFICATIONS



Rated Capacity (RC)	kgf	0-50 (500N), 0-100 (1000N), 0-150 (1500N), 0-200 (2000N), 0-250 (2500N)
Operating Modes	Compression Only	
Rated Output	mV/V	2 nominal
Zero Balance/Offset	±%/Rated Output	<5
Non-Linearity	±%/Rated Output (BFSL)	<2.5
Hysteresis	±%/Rated Output	<2.5
Repeatability	±%/Rated Output	<0.5
Temperature Effect on Zero	±%/Rated Output/°C	<0.010
Temperature Effect on Output	±%/Applied Load/°C	<0.010
Input Resistance	Ohms (nominal)	350
Output Resistance	Ohms (nominal)	375
Insulation Resistance	Megohms	>2000
Excitation Voltage	Volts AC or DC	10 recommended (2-15 acceptable)
Operating Temperature Range	°C	-20 to +80
Compensated Temperature Range	°C	0 to +60
Storage Temperature Range	°C	-20 to +80
Safe Overload	% of Rated Capacity	150
Ultimate Overload	% of Rated Capacity	300
Deflection @ Rated Capacity	mm	<0.4
IP Rating (Environmental Protection)		IP65
Weight (excluding cable)	grams	180
Fatigue Life		10 ⁸ cycles typical (10 ⁹ cycles on fatigue-rated version)
Cable Length (as standard)	metres	3
Cable Type		4 core screened PTFE cable
Construction Material		Stainless Steel
Resolution		1 part in 250,000 (with appropriate instrumentation)

Product Dimensions



Wiring Details



Wire	Designation
Red	+ve excitation
Blue	-ve excitation
Green	+ve signal
Yellow	-ve signal
Screen	To ground - not connected to load cell body

ORDERING CODES & OPTIONS

Core Product	Capacity (inc Engineering Units)	Cable Length (m)	Specials Code	Example Result
CCGBP	50kg	003	000	CCGBP-50kg-003-000
CCGBP	100kg	003	000	CCGBP-100kg-003-000
CCGBP	150kg	003	000	CCGBP-150kg-003-000
CCGBP	200kg	003	000	CCGBP-200kg-003-000
CCGBP	250kg	003	000	CCGBP-250kg-003-000

Array

View this page in a browser:



<https://appmeas.co.uk/products/load-cells-force-sensors/brake-pedal-load-cell-ccgbp/>